

DJO GLOBAL:

AUSTRALIA:

DJO Australia
PO Box 2057
Normanhurst
NSW 2076
AUSTRALIA
Tel: +1300 66 77 30
Fax: +1300 66 77 40
Email: service@djortho.com.au

BENELUX:

DJO Benelux
Welvaartstraat 8
2200 Herentals
BELGIUM
Tel Belgium: 0800 18 246
Tel Netherlands: 0800 0229442
Tel Luxemburg: 8002 27 42
Email: benelux.orders@DJOglobal.com

CANADA:

DJO Canada
6485 Kennedy Road
Mississauga
Ontario
L5T 2W4
CANADA
Tel: +1 866 866 5031
Fax: +1 866 866 5032
Email: canada.orders@DJOglobal.com

DENMARK, FINLAND, NORWAY & SWEDEN:

DJO Nordic AB
Murmansgatan 126
21225 Malmö
SWEDEN
Tel Sweden: 040 39 40 00
Tel Norway: 8006 1052
Tel Finland: 0800 114 582
Tel Denmark: +46 40 39 40 00
Email: info.nordic@DJOglobal.com

FRANCE:

DJO France S.A.S.
Centre Européen de Fret
64990 Mouguerre
FRANCE
Tel: +33 (0)5 59 52 86 90
Fax: +33 (0)5 59 52 86 91
Email: sce.cial@DJOglobal.com

GERMANY:

ORMED-DJO Germany GmbH
Merzhauser Str. 112
D-79100 Freiburg
GERMANY
Tel: +49 761 4566 251
Fax: +49 761 4566 55251
Email: info@ormed.de

ITALY:

DJO Italia Srl
Via Leonardo Da Vinci 97
Trezzano Sul Naviglio
20090 Milano
ITALY
Tel: +39 02 484 63386
Fax: +39 02 484 09217
Email: it.info@DJOglobal.com

SPAIN:

DJO Ibérica
Carretera de Cornellá 144, 1^º 4^ª
Esplugues de Llobregat
08950 Barcelona
SPAIN
Tel: +34 943 638 167
Fax: +34 943 638 174
Email: svc.cial@DJOglobal.com

SWITZERLAND:

Compex Médical SA
Ch. du Dévent
ZI Larges Pièces A
1024
Ecublens
SWITZERLAND
Tel: +41 (0) 21 695 2360
Fax: +41 (0) 21 695 2361
Email: info@compex.ch

UK & IRELAND:

DJO UK Ltd
1a Guildford Business Park
Guildford
Surrey
GU2 8XG
ENGLAND
Tel: +44 (0)1483 459 659
Fax: +44 (0)1483 459 470
Email: ukorders@DJOglobal.com

UNITED STATES:

DJO Global, Inc
1430 Decision Street
Vista
CA 92081-8553
U.S.A.
Tel: 1 800 336 6569
Fax: 1 800 936 6569

DJO GLOBAL, EXPORT CENTERS:

ASIA-PACIFIC:

DJO Asia-Pacific Limited
Unit 1905, 19/F, Tower II
Grand Central Plaza
138 Shatin Rural Committee Road
Shatin
HONG KONG
Tel: +852 3105 2237
Fax: +852 3105 1444
Email: info.asia@DJOglobal.com

EUROPE, MIDDLE EAST & AFRICA

DJO Benelux
Welvaartstraat 8
2200 Herentals
BELGIUM
Tel: +32 (0) 14248350
Fax: +32 (0) 14248358
Email: info.emea@DJOglobal.com

LATIN AMERICA:

DJO Global, Inc
1430 Decision Street
Vista
CA 92081-8553
U.S.A.
Tel: 1 800 336 6569
Fax: 1 800 936 6569
Email: info.latam@DJOglobal.com



Together in Motion™



Treatment Tables | 2012



DISTRIBUTED BY



MTM

MÉDICAL TRONIK

190, boul. St-Elzéar O., Laval (Qc) H7L 3N3

Tel : 450 669-8985 □ 1 800 361-0877

Fax : 450 669-9532 □ 1 888 935-7001

www.medicaltronik.ca



INTRODUCTION



Chattanooga is the world's largest manufacturer of rehabilitation equipment for treating musculoskeletal, neurological and soft tissue disorders. For over six decades, Chattanooga has set a benchmark for leadership, reliability and excellence. Our products contribute to better treatment outcomes in hospitals, clinics and home settings worldwide. We lead the physiotherapy industry by example and, through continuous innovation, provide real world solutions for clinicians and their patients.

As the world's leading brand in rehabilitation, Chattanooga is sold in over 80 countries worldwide. Chattanooga is directly represented in our key markets but also has long lasting relationships with dedicated distributors in the USA, Canada, Latin America, EMEA and Asia Pacific. Our Chattanooga distributors and customers are supported for order placement, training, product delivery and after sales service by a dedicated team of highly skilled DJO employees based all over the world.

Chattanooga is a brand of DJO Global Inc. DJO Global provides solutions for musculoskeletal health, vascular health and pain management. Our products help prevent injuries or rehabilitate after surgery, injury or from degenerative disease, enabling patients to regain or maintain their natural motion. Visit www.DJOGlobal.eu



AIRCAST

chattanooga

CMFV

Compex

djosurgical

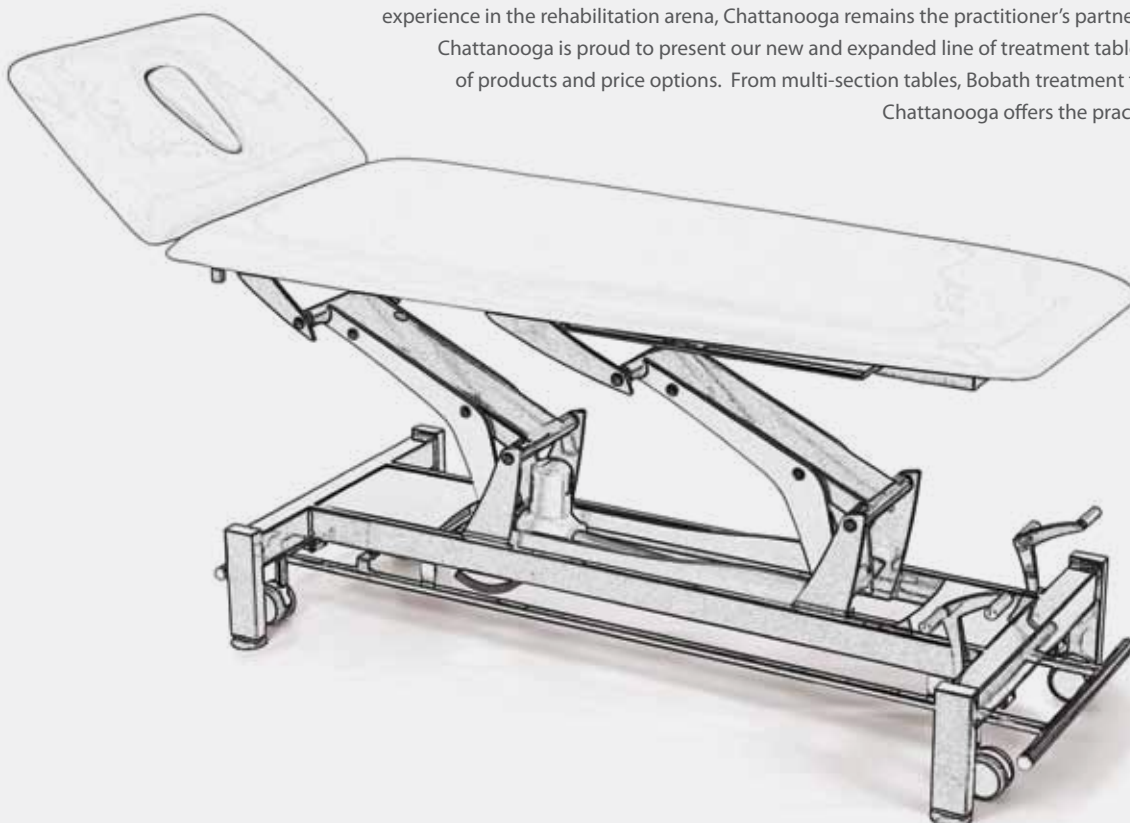
DONJOY

Empi

PROCARE

TREATMENT TABLES

The foundation for any musculoskeletal assessment and treatment is the treatment table. It is also one of the most significant and long standing investments the practitioner will make. The treatment table is one of the foundations of the clinic's style and helps define the atmosphere of the practice. With more than 60 years experience in the rehabilitation arena, Chattanooga remains the practitioner's partner in design and equipment. Chattanooga is proud to present our new and expanded line of treatment tables, offering a broader range of products and price options. From multi-section tables, Bobath treatment tables, to a solid fixed table, Chattanooga offers the practitioner real table solutions.





CONTENTS

Introduction	1
Montane Tables	3
Montane Andes - 7 Section Table	4
Montane Alps - 5 Section Table	5
Montane Atlas - 3 Section Table	6
Montane Tatras - 2 Section Table	7
Montane Dolomites - 2 Section Examination Table	8
Montane Taurus Bobath Table	9
Montane Columbia Fixed Table	10
Accessories	10
Region Treatment Tables	11
Region 7	12
Region 3	13
Region 2	14

MONTANE TABLES



The Montane line is a strong, sturdy, reliable and high quality table that will support your patients and practice for years. With an extensive line of tables available in a range of color options, Chattanooga once again offers the practitioner a broad range of real table solutions.

Robust Mechanical Integrity

- Steel frame provides stability during treatment and also during patient transition to and from the table
- Boomerang mechanism provides a smooth vertical lift
- Gas springs assist table adjustment and prevent sudden movements

Quality Design

- Traditional table designed for stability and patient comfort
- A powerful motor provides fast height adjustment
- Easy access foot switch is accessible from any position around the table, making height adjustment easy and convenient
- One movement engages the wheels to move the table or to stabilize it for treatment

Upholstery

Available in 9 fashion colors to complement a variety of settings from contemporary designer trends to classic clinical settings

Easy Table Movement

All Montane tables except the Taurus Bobath (casters only) and the Fixed Table are available with a choice of 4 casters or 2 wheel versions for easy table movement around the clinic. On the optional 4 caster version, one movement engages the wheels to move the table or to stabilize it for treatment

2 Wheel System



4 Wheel System



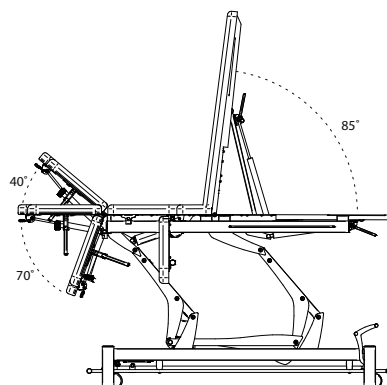
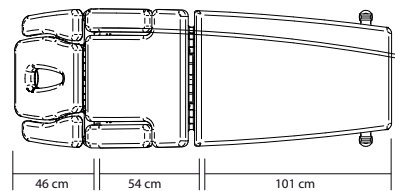
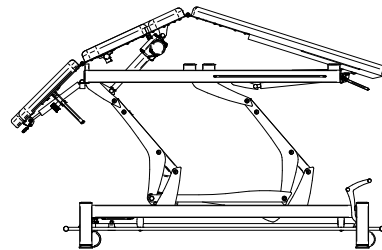
MONTANE ANDES



FEATURES

- 7 section treatment table includes fold down segments in head and chest section
- Electric high/low height adjustment from 49 to 101 cm for easy and safe patient transfer and adjustment to the ideal working height for treatment
- Easy access foot switch, accessible from any position around the table 360°, for simple height adjustment
- Features smooth vertical lift with a capacity up to 150 kg
- Available in 4 casters or 2 wheel versions
- Motorized adjustable middle section with postural drainage model (optional equipment)
- Adjustable head support - positive/negative inclinations
- Face hole on head section with removable cushion
- Side brackets for stabilizing belts are standard equipment

TABLE ARTICULATIONS



ORDERING INFORMATION

Part Number	Description
Montane Andes	
3570	Andes 7 Section 120V – 2 Wheels / 2 Legs
3571	Andes 7 Section 120V – 4 Wheels
3572	Andes 7 Section 120V with Postural Drainage – 2 Wheels / 2 Legs
3573	Andes 7 Section 120V with Postural Drainage – 4 Wheels
3575	Andes 7 Section 230V – 2 Wheels / 2 Legs
3576	Andes 7 Section 230V – 4 Wheels
3577	Andes 7 Section 230V with Postural Drainage – 2 Wheels / 2 Legs
3578	Andes 7 Section 230V with Postural Drainage – 4 Wheels

TECHNICAL SPECIFICATIONS

Mains Power:	230V / 50 Hz, 120V / 60 Hz
Standby Consumption:	3.5 W
Input:	230V / 1.0 A / 50 Hz, 120V / 1.9 A / 60 Hz
Weight:	110 kg (242 lbs) plus 30 kg pallet when shipping
Dimensions*:	201 x 69 x 49 – 101 cm
Shipping Dimensions*:	219 x 84 x 75 cm
Lifting Capacity:	150 kg (300 lbs)
Electrical Safety Class:	Class II, Type B
Safety Tests:	Meets Directive 93 / 42 / EEC, Certified to CAN/CSA Standard C22.2 No. 601.1-M90x/A2

* Dimensions are listed as L x W x H

UPHOLSTERY COLOR OPTIONS

Ecru-Crème (x = 00)	Beige (x = 01)	Blue (x = 02)
Navy Blue (x = 03)	Terra Cotta (x = 04)	Chocolate (x = 05)
Gray (x = 06)	Graphite Gray (x = 07)	Black (x = 08)

NOTICE: Color charts are produced within the limitations of lithographic color printing and are intended as a general guide only.

For ordering purposes, please use model number, hyphen, upholstery color number as indicated in the chart above.
Example: Montane Andes 7 Postural Drainage in Chocolate - 3578-05

ORDERING INFORMATION

Part Number Description

Montane Alps

3550	Alps 5 Section 120V – 2 Wheels / 2 Legs
3551	Alps 5 Section 120V – 4 Wheels
3552	Alps 5 Section 120V with Postural Drainage – 2 Wheels / 2 Legs
3553	Alps 5 Section 120V with Postural Drainage – 4 Wheels
3555	Alps 5 Section 230V – 2 Wheels / 2 Legs
3556	Alps 5 Section 230V – 4 Wheels
3557	Alps 5 Section 230V with Postural Drainage – 2 Wheels / 2 Legs
3558	Alps 5 Section 230V with Postural Drainage – 4 Wheels

TECHNICAL SPECIFICATIONS

Mains Power:	230V / 50 Hz, 120V / 60 Hz
Standby Consumption:	3.5 W
Input:	230V / 1.0 A / 50 Hz, 120V / 1.9 A / 60 Hz
Weight:	110 kg (242 lbs) plus 30 kg pallet when shipping
Dimensions*:	201 x 69 x 49 – 101 cm
Shipping Dimensions*:	219 x 84 x 75 cm
Lifting Capacity:	150 kg (300 lbs)
Electrical Safety Class:	Class II, Type B
Safety Tests:	Meets Directive 93 / 42 / EEC, Certified to CAN/CSA Standard C22.2 No. 601.1-M90x/A2

* Dimensions are listed as L x W x H

UPHOLSTERY COLOR OPTIONS

Ecru-Crème (x = 00)	Beige (x = 01)	Blue (x = 02)
Navy Blue (x = 03)	Terra Cotta (x = 04)	Chocolate (x = 05)
Gray (x = 06)	Graphite Gray (x = 07)	Black (x = 08)

NOTICE: Color charts are produced within the limitations of lithographic color printing and are intended as a general guide only.
For ordering purposes, please use model number, hyphen, upholstery color number as indicated in the chart above.
Example: Montane Andes 7 Postural Drainage in Chocolate - 3578-05

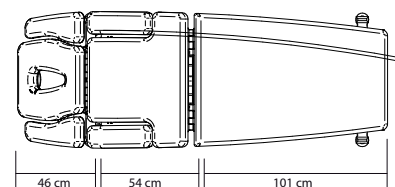
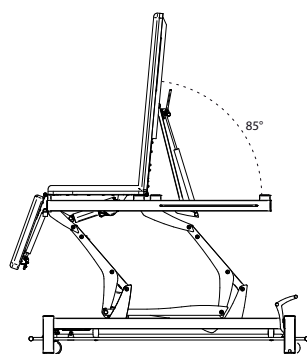
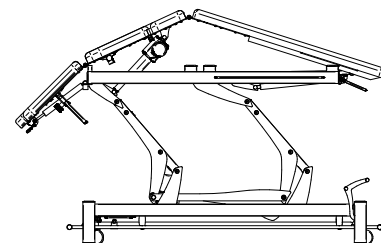
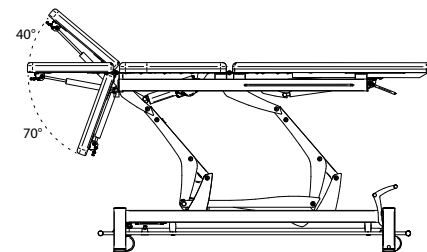
MONTANE ALPS - 5 SECTION TABLE



FEATURES

- 5 section treatment table includes fold down segments in head section
- Electric high/low height adjustment from 49 to 101 cm for easy and safe patient transfer and adjustment to the ideal working height for treatment
- Easy access foot switch, accessible from any position around the table 360°, for simple height adjustment
- Features smooth vertical lift with a capacity up to 150 kg
- Available in 4 casters or 2 wheel versions
- Motorized adjustable middle section with postural drainage model (optional equipment)
- Adjustable head support - positive/negative inclinations
- Face hole on head section with removable cushion
- Side brackets for stabilizing belts are standard equipment
- Gas springs assist in the adjustment of head and foot sections

TABLE ARTICULATIONS



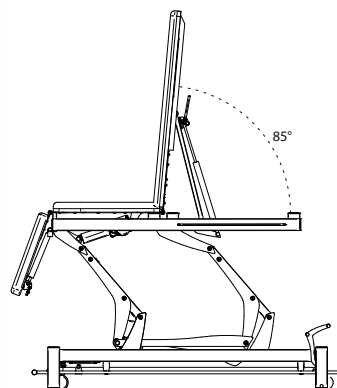
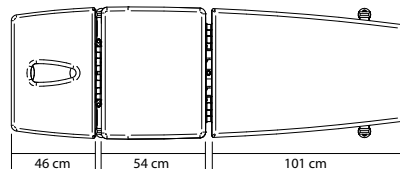
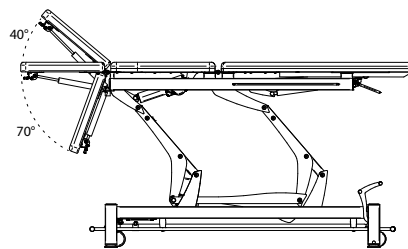
MONTANE ATLAS - 3 SECTION TABLE



FEATURES

- 3 section treatment table
- Electric high/low height adjustment from 49 to 101 cm for easy and safe patient transfer and adjustment to the ideal working height for treatment
- Easy access foot switch, accessible from any position around the table 360°, for simple height adjustment
- Features smooth vertical lift with a capacity up to 150 kg
- Available in 4 casters or 2 wheel versions
- Motorized adjustable middle section with postural drainage model (optional equipment)
- Adjustable head support - positive/negative inclinations
- Face hole on head section with removable cushion
- Side brackets for stabilizing belts are standard equipment
- Gas Springs assist in the adjustment of head and foot sections

TABLE ARTICULATIONS



ORDERING INFORMATION

Part Number	Description
Montane Atlas	
3530	Atlas 3 Section 120V – 2 Wheels / 2 Legs
3531	Atlas 3 Section 120V – 4 Wheels
3532	Atlas 3 Section 120V with Postural Drainage – 2 Wheels / 2 Legs
3533	Atlas 3 Section 120V with Postural Drainage – 4 Wheels
3535	Atlas 3 Section 230V – 2 Wheels / 2 Legs
3536	Atlas 3 Section 230V – 4 Wheels
3537	Atlas 3 Section 230V with Postural Drainage – 2 Wheels / 2 Legs
3538	Atlas 3 Section 230V with Postural Drainage – 4 Wheels

TECHNICAL SPECIFICATIONS

Mains Power:	230V / 50 Hz, 120V / 60 Hz
Standby Consumption:	3.5W
Input:	230V / 1.0 A / 50 Hz, 120V / 1.9 A / 60 Hz
Weight:	110 kg (242 lbs) plus 30 kg pallet when shipping
Dimensions*:	201 x 69 x 49 – 101 cm
Shipping Dimensions*:	219 x 84 x 75 cm
Lifting Capacity:	150 kg (300 lbs)
Electrical Safety Class:	Class II, Type B
Safety Tests:	Meets Directive 93 / 42 / EEC, Certified to CAN/CSA Standard C22.2 No. 601.1-M90x/A2

* Dimensions are listed as L x W x H

UPHOLSTERY COLOR OPTIONS

Ecru-Crème (x = 00)	Beige (x = 01)	Blue (x = 02)
Navy Blue (x = 03)	Terra Cotta (x = 04)	Chocolate (x = 05)
Gray (x = 06)	Graphite Gray (x = 07)	Black (x = 08)

NOTICE: Color charts are produced within the limitations of lithographic color printing and are intended as a general guide only.

For ordering purposes, please use model number, hyphen, upholstery color number as indicated in the chart above.
Example: Montane Andes 7 Postural Drainage in Chocolate - 3578-05

ORDERING INFORMATION

Part Number	Description
Montane Tattras	
3520	Tattras 2 Section 120V – 2 Wheels / 2 Legs
3521	Tattras 2 Section 120V – 4 Wheels
3522	Tattras 2 Section 230V – 2 Wheels / 2 Legs
3523	Tattras 2 Section 230V – 4 Wheels

TECHNICAL SPECIFICATIONS

Mains Power:	230V / 50 Hz, 120V / 60 Hz
Standby Consumption:	3.5W
Input:	230V / 1.0 A / 50 Hz, 120V / 1.9 A / 60 Hz
Weight:	110 kg (242 lbs) plus 30 kg pallet when shipping
Dimensions*:	201 x 69 x 49 – 101 cm
Shipping Dimensions*:	219 x 84 x 75 cm
Lifting Capacity:	150 kg (300 lbs)
Electrical Safety Class:	Class II, Type B
Safety Tests:	Meets Directive 93 / 42 / EEC, Certified to CAN/CSA Standard C22.2 No. 601.1-M90x/A2

* Dimensions are listed as L x W x H

UPHOLSTERY COLOR OPTIONS

Ecru-Crème (x = 00)	Beige (x = 01)	Blue (x = 02)
Navy Blue (x = 03)	Terra Cotta (x = 04)	Chocolate (x = 05)
Gray (x = 06)	Graphite Gray (x = 07)	Black (x = 08)

NOTICE: Color charts are produced within the limitations of lithographic color printing and are intended as a general guide only.

For ordering purposes, please use model number, hyphen, upholstery color number as indicated in the chart above.
Example: Montane Andes 7 Postural Drainage in Chocolate - 3578-05

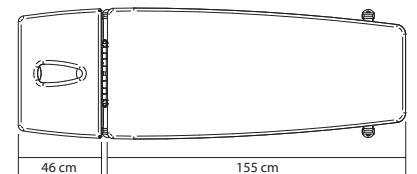
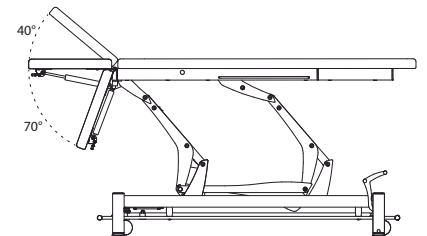
MONTANE TATTRAS - 2 SECTION TABLE



FEATURES

- 2 section treatment table
- Electric high/low height adjustment from 49 to 101 cm for easy and safe patient transfer and adjustment to the ideal working height for treatment
- Easy access foot switch, accessible from any position around the table 360°, for simple height adjustment
- Features smooth vertical lift with a capacity up to 150 kg
- Available in 4 casters or 2 wheel versions
- Adjustable head support - positive/negative inclinations
- Face hole on head section with removable cushion
- Side brackets for stabilizing belts are standard equipment

TABLE ARTICULATIONS



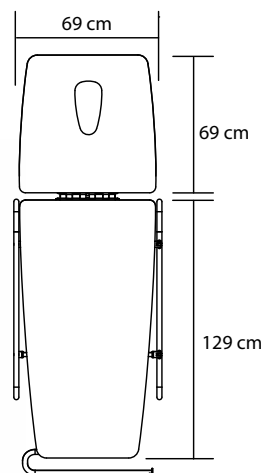
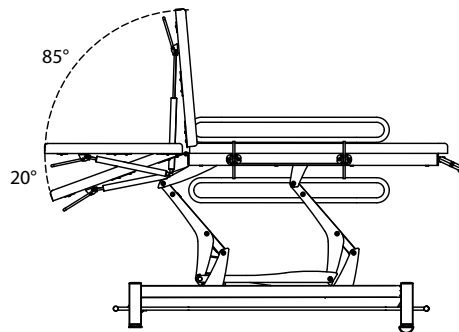
MONTANE DOLOMITES - 2 SECTION EXAMINATION TABLE



FEATURES

- 2 section treatment table
- Includes side rails for patient safety
- Electric high/low height adjustment from 49 to 101 cm for easy and safe patient transfer and adjustment to the ideal working height for treatment
- Easy access foot switch, accessible from any position around the table 360°, for simple height adjustment
- Features smooth vertical lift with a capacity up to 150 kg
- Includes simple to use paper roll holder
- Available in 4 casters or 2 wheel versions
- Adjustable head support - positive/negative inclinations
- Face hole on head section with removable cushion
- Side brackets for stabilizing belts are standard equipment
- Gas springs assist in the adjustment of head section

TABLE ARTICULATIONS



ORDERING INFORMATION

Part Number	Description
Montane Dolomites	
3590	Dolomites 2 Section 120V Examination Table with Side Railings and Paper Roll Holder – 2 Wheels / 2 Legs
3591	Dolomites 2 Section 120V Examination Table with Side Railings and Paper Roll Holder – 4 Wheels
3592	Dolomites 2 Section 230V Examination Table with Side Railings and Paper Roll Holder – 2 Wheels / 2 Legs
3593	Dolomites 2 Section 230V Examination Table with Side Railings and Paper Roll Holder – 4 Wheels

TECHNICAL SPECIFICATIONS

Mains Power:	230 V / 50 Hz, 120V / 60 Hz
Standby Consumption:	3.5W
Input:	230 V / 1.0 A / 50 Hz, 120 V / 1.9 A / 60 Hz
Weight:	110 kg (242 lbs) plus 30 kg pallet when shipping
Dimensions*:	201 x 69 x 49 – 101 cm
Shipping Dimensions*:	219 x 84 x 75 cm
Lifting Capacity:	150 kg (300 lbs)
Electrical Safety Class:	Class II, Type B
Safety Tests:	Meets Directive 93 / 42 / EEC, Certified to CAN/CSA Standard C22.2 No. 601.1-M90x/A2

* Dimensions are listed as L x W x H

UPHOLSTERY COLOR OPTIONS

Ecru-Crème (x = 00)	Beige (x = 01)	Blue (x = 02)
Navy Blue (x = 03)	Terra Cotta (x = 04)	Chocolate (x = 05)
Gray (x = 06)	Graphite Gray (x = 07)	Black (x = 08)

NOTICE: Color charts are produced within the limitations of lithographic color printing and are intended as a general guide only.

For ordering purposes, please use model number, hyphen, upholstery color number as indicated in the chart above.
Example: Montane Andes 7 Postural Drainage in Chocolate - 3578-05

ORDERING INFORMATION

Part Number	Description
Montane Bobath	
3580	Taurus Bobath 120 V – 1 Section – 4 Wheels
3581	Taurus Bobath 120 V – 2 Section – 4 Wheels
3582	Taurus Bobath 230 V – 1 Section – 4 Wheels
3583	Taurus Bobath 230 V – 2 Section – 4 Wheels

TECHNICAL SPECIFICATIONS

Mains Power:	230 V / 50 Hz, 120 V / 60 Hz
Standby Consumption:	3.5 W
Input:	230 V / 1.0 A / 50 Hz, 120 V / 1.9 A / 60 Hz
Weight:	145 kg (310 lbs) plus 50 kg (110 lbs) pallet for shipping
Dimensions*:	201 x 69 x 49 – 101 cm
Shipping Dimensions*:	219 x 134 x 75 cm
Lifting Capacity:	150 kg (300 lbs)
Electrical Safety Class:	Class II, Type B
Safety Tests:	Meets Directive 93 / 42 / EEC, Certified to CAN/CSA Standard C22.2 No. 601.1-M90x/A2

* Dimensions are listed as L x W x H

UPHOLSTERY COLOR OPTIONS

Ecru-Crème (x = 00)	Beige (x = 01)	Blue (x = 02)
Navy Blue (x = 03)	Terra Cotta (x = 04)	Chocolate (x = 05)
Gray (x = 06)	Graphite Gray (x = 07)	Black (x = 08)

NOTICE: Color charts are produced within the limitations of lithographic color printing and are intended as a general guide only.

For ordering purposes, please use model number, hyphen, upholstery color number as indicated in the chart above.

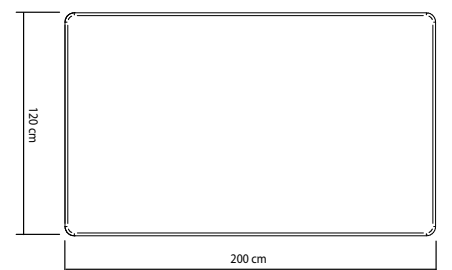
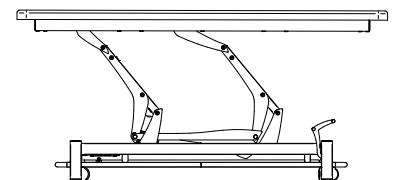
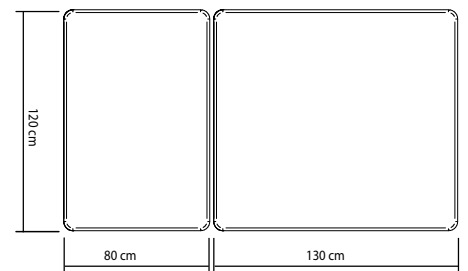
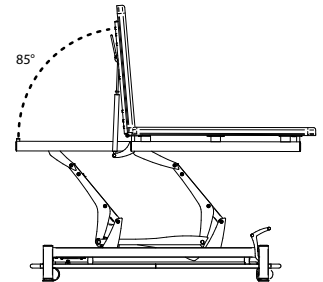
Example: Montane Andes 7 Postural Drainage in Chocolate - 3578-05

MONTANE TAURUS BOBATH TABLES



FEATURES

- 1 and 2 section Bobath treatment table
- Extra wide patient surface and undercarriage
- Electric high/low height adjustment from 49 to 101 cm for easy and safe patient transfer and adjustment to the ideal working height for treatment
- Easy access foot switch, accessible from any position around the table 360°, for simple height adjustment
- Features smooth vertical lift with a capacity up to 150 kg
- Available in 4 casters or 2 wheel versions
- 2 section head support adjusts to 85° positive inclination for treatment
- Gas springs assist in the adjustment of head section

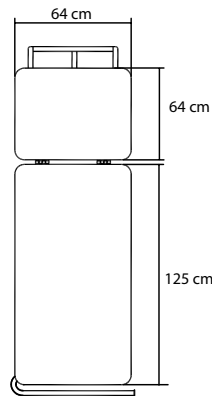
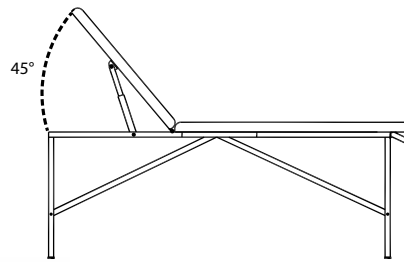


MONTANE COLOMBIA FIXED TABLES



FEATURES

- 2 section fixed table for examination and treatment
- Head section manually adjusts up to a 45° positive inclination
- Solid high-quality fixed table constructed to ensure maximum stability
- Paper roll holder (optional equipment)



Optional paper roll holder shown

ORDERING INFORMATION

Part Number **Description**

Colombia Fixed Tables

3595 Colombia 2 Section Fixed

TECHNICAL SPECIFICATIONS

Head Angle Adjustment: 0-45°

Maximum Weight Capacity: 150 kg (300 lbs)

Weight: 31 kg (68 lbs)

Dimensions*: 189 x 64 cm

Shipping Dimensions*: 190 x 65 x 15 cm

Capacity: 150 kg (300 lbs)

Paper Roll Holder for use with paper of a maximum width of 60 cm

* Dimensions are listed as L x W x H

UPHOLSTERY COLOR OPTIONS

Beige
(x = 01)

Black
(x = 08)

ACCESSORIES



A Paper Roll Holder - Holds paper rolls up to 60 cm wide

B Traction Supports - Mechanical traction supports

C Stabilization Belt - Available in black, this stabilization belt attaches to side brackets (available on most models)

D Kaltenborn Wedge - For use by professionals trained in manual mobilization techniques.

E1 & E2 Wedge - Wedges and Bolsters are used to reinforce the correct positioning of the patient during treatment.

F1, F2 & F3 Bolster

ORDERING INFORMATION

Part Number **Description**

Accessories

3710 (**A**) Paper Roll Holder

3711-xx (**B**) Traction Supports

3712 (**C**) Stabilization Belt

3713 (**D**) Kaltenborn Wedge

3714-xx (**E1**) Wedge

3715-xx (**E2**) Wedge

3716-xx (**F1**) Bolster

3717-xx (**F2**) Bolster

3718-xx (**F3**) Bolster

UPHOLSTERY COLOR OPTIONS

Ecru-Crème (x = 00)	Beige (x = 01)	Blue (x = 02)
Navy Blue (x = 03)	Terra Cotta (x = 04)	Chocolate (x = 05)
Gray (x = 06)	Graphite Gray (x = 07)	Black (x = 08)

NOTICE: Color charts are produced within the limitations of lithographic color printing and are intended as a general guide only.

For ordering purposes, please use model number, hyphen, upholstery color number as indicated in the chart above.

Example: Bolster in Terra Cotta = 3717-04

REGION™ TREATMENT TABLES



Robust Mechanical Integrity

- Steel "X" frame architecture sustains platform stability during treatments, as well as, during patient transition to and from the platform
- Scissor mechanism provides a smooth vertical lift and maximum lifting capacity rated to 204 kg
- Electric elevating high/low mechanism easily accessible from the entire perimeter of the treatment platform with six pedals
- Gas-assisted elevation on select cushion sections
- Integrated retractable casters allow for easy movement of the table

Sophisticated Design

- Modern style projects a new, innovative image in the clinic
- Inspirational color choices enhance contemporary trend with lasting style
- Optimum ergonomics - no handles or knobs to obstruct the working therapist and cushions specifically designed with patient comfort in mind
- Open clearance on the frame bottom allow access for patient lifts and warming lights

Integral Skin Foam (i-Skin) Patient Surface

- Revolutionary design-specific polyurethane material that is density consistent and latex-free
- Unique patient positioning system with slight contouring of the cushions to give patients a greater sense of security
- Density-specific to be unbelievably comfortable for the patient, yet still firm enough for manual techniques
- 9x more durable than comparable vinyl upholstery material
- Easy to clean and maintain pristine appearance



REGION™ 7



FEATURES

- 7 section treatment platform
- Electric high/low from 46 to 94 cm controlled by foot pedals accessible from all sides of the table
- Independent positioning of the pivoting head and arm sections
- Fold away side panels allow easy access to cervical and shoulder region
- Gas-assist elevates the foot section with the quick-release grab bar.
- The leg cushion can be raised to any angle desired up to 80 degrees
- Patient positioning with a hint of cushion contouring within the i-skin foam
- Dual-lever retractable caster system
- Engage the optional motorized postural drain with the push of a button
- Easily convert to Trendelenburg position with a quick raise of the gas-assisted grab bar

TABLE ARTICULATIONS



Head section adjusts positively and negatively for cervical manipulation and massage



Ergonomic shoulder wing and armrest adjustment for optimal spine positioning



Trendelenburg position



Motorized postural drain for ease of use during lumbar flexion



Contoured patient surface for comfort in lying position



Segmented support system allows positioning from lying to reclining to sitting

ORDERING INFORMATION

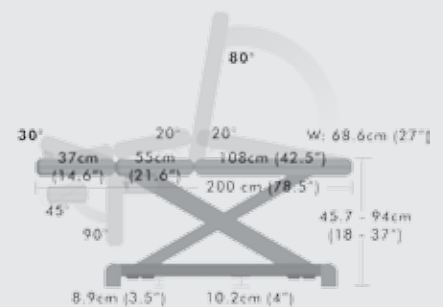
Part Number	Description
Region 7	
3334 - x	Region 7 treatment platform
3335 - x	Region 7D treatment platform with postural drainage

TECHNICAL SPECIFICATIONS

Mains Power:	100-240 V, 50-60 Hz
Standby Consumption:	7 W
Input:	230 V / 1 A / 50 Hz 120 V / 1.7 A / 60 Hz
Weight:	141 kg
Dimensions*:	200 x 69 x 45.7 - 94 cm
Assembled Table Shipping Dimensions*:	221 x 86 x 91 cm
Lifting Capacity:	204 kg
Electrical Safety Class:	Class II, Type B
Safety Tests:	IEC/UL/EN 60601-1, IEC 60601-1-1, IEC 60601-1-2, CAN/USA C22.2 No. 601.1- M90 w/ A2

* Dimensions are listed as L x W x H

TABLE SCHEMATIC



COLOR OPTIONS

Pacific Blue (x = 101)	Midnight (x = 102)	Sand (x = 103)
Maroon (x = 105)	Terra Cotta (x = 106)	Chocolate (x = 107)

NOTICE: Color charts are produced within the limitations of lithographic color printing and are intended as a general guide only.

For ordering purposes, please use model number, hyphen, upholstery color number as indicated in the chart above.
Example: Region 7D in pacific blue = REF 3335-101

ORDERING INFORMATION

Part Number	Description
Region 3	
3330 - x	Region 3 treatment platform
3331 - x	Region 3D treatment platform with postural drainage

COLOR OPTIONS

Pacific Blue (x = 101)	Midnight (x = 102)	Sand (x = 103)
Maroon (x = 105)	Terra Cotta (x = 106)	Chocolate (x = 107)

NOTICE: Color charts are produced within the limitations of lithographic color printing and are intended as a general guide only.

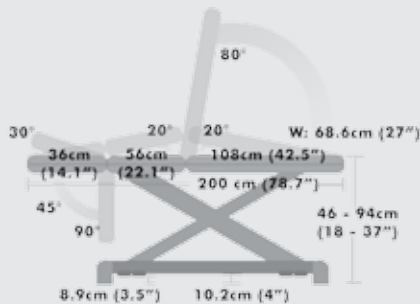
For ordering purposes, please use model number, hyphen, upholstery color number as indicated in the chart above.
Example: Region 7D in pacific blue = REF 3335-101

TECHNICAL SPECIFICATIONS

Mains Power:	100-240 V, 50-60 Hz
Standby Consumption:	7 W
Input:	230 V / 1 A / 50 Hz 120 V / 1.7 A / 60 Hz
Weight:	165 kg (3330) 170 kg (3331)
Dimensions*:	200 x 71 x 45.7 - 94 cm
Assembled Table Shipping Dimensions*:	221 x 86 x 91 cm
Lifting Capacity:	204 kg
Electrical Safety Class:	Class II, Type B
Safety Tests:	IEC/UL/EN 60601-1 IEC 60601-1-1 IEC 60601-1-2 CAN/USA C22.2 No. 601.1-M90 w/ A2

* Dimensions are listed as L x W x H

TABLE SCHEMATIC



REGION™ 3



FEATURES

- 3 section treatment platform
- Electric high/low from 46 to 94 cm controlled by foot pedals accessible from all sides of the table
- Gas-assisted head section pivots up and down independent of the chest section
- Gas-assist elevates the foot section with the quick-release grab bar
- The leg cushion can be raised to any angle desired up to 80 degrees
- Patient positioning with a hint of cushion contouring within the i-skin foam
- Dual-lever retractable caster system
- Engage the optional, motorised postural drain feature with the push of a button
- Easily convert to Trendelenburg position with a quick raise of the gas-assisted grab bar

TABLE ARTICULATIONS



Head section adjusts positively and negatively for cervical manipulation and massage



Trendelenburg position



Contoured patient surface for comfort in lying position



Motorized postural drain for ease of use during lumbar flexion



Segmented support system allows positioning from lying to reclining to sitting

REGION™ 2



FEATURES

- 2 section treatment platform
- Electric high/low from 46 to 94 cm controlled by foot pedals accessible from all sides of the table
- i-Skin cushions Integral Skin Foam patient surface
- Patients can be oriented toward either end of the table with dual face holes to manage the confines of a small clinic room
- Gas-assist elevates one section of the table with the quick-release grab bar. The cushion can be raised to any angle desired up to 80 degrees
- Dual-lever retractable caster system
- Unique cushion break in the center eliminates the need for wedges or pillows in seated position

TABLE ARTICULATIONS



Contoured patient surface for comfort in lying position



2-section support system allows positioning from lying to reclining to sitting



ORDERING INFORMATION

Part Number	Description
Region 2	
3326 - x	Region 2i treatment platform with i-skin foam patient surface

COLOR OPTIONS

Pacific Blue (x = 101)	Midnight (x = 102)	Sand (x = 103)
Maroon (x = 105)	Terra Cotta (x = 106)	Chocolate (x = 107)

NOTICE: Color charts are produced within the limitations of lithographic color printing and are intended as a general guide only.

For ordering purposes, please use model number, hyphen, upholstery color number as indicated in the chart above. Example: Region 7D in pacific blue = REF 3335-101

TECHNICAL SPECIFICATIONS

Mains Power:	100-240 V, 50-60 Hz
Standby Consumption:	7 W
Input:	230 V / 1 A / 50 Hz 120 V / 1.7 A / 60 Hz
Weight:	141 kg
Dimensions*:	200 x 69 x 45.7 - 94 cm
Assembled Table Shipping Dimensions*:	221 x 86 x 91 cm
Lifting Capacity:	204 kg
Electrical Safety Class:	Class II, Type B
Safety Tests:	IEC/UL/EN 60601-1, IEC 60601-1-1, IEC 60601-1-2, CAN/USA C22.2 No. 601.1- M90 w/ A2

* Dimensions are listed as L x W x H

TABLE SCHEMATIC

